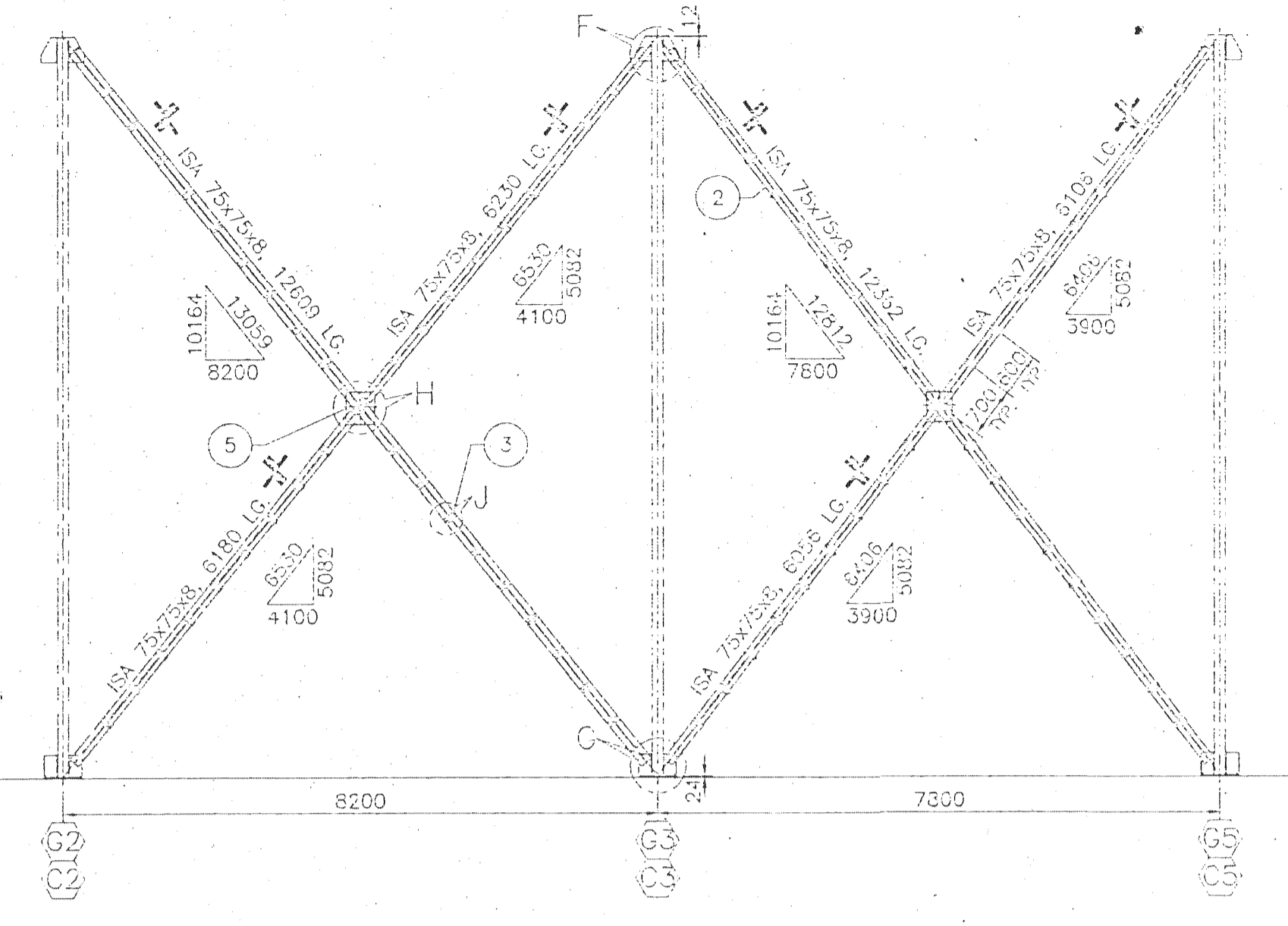
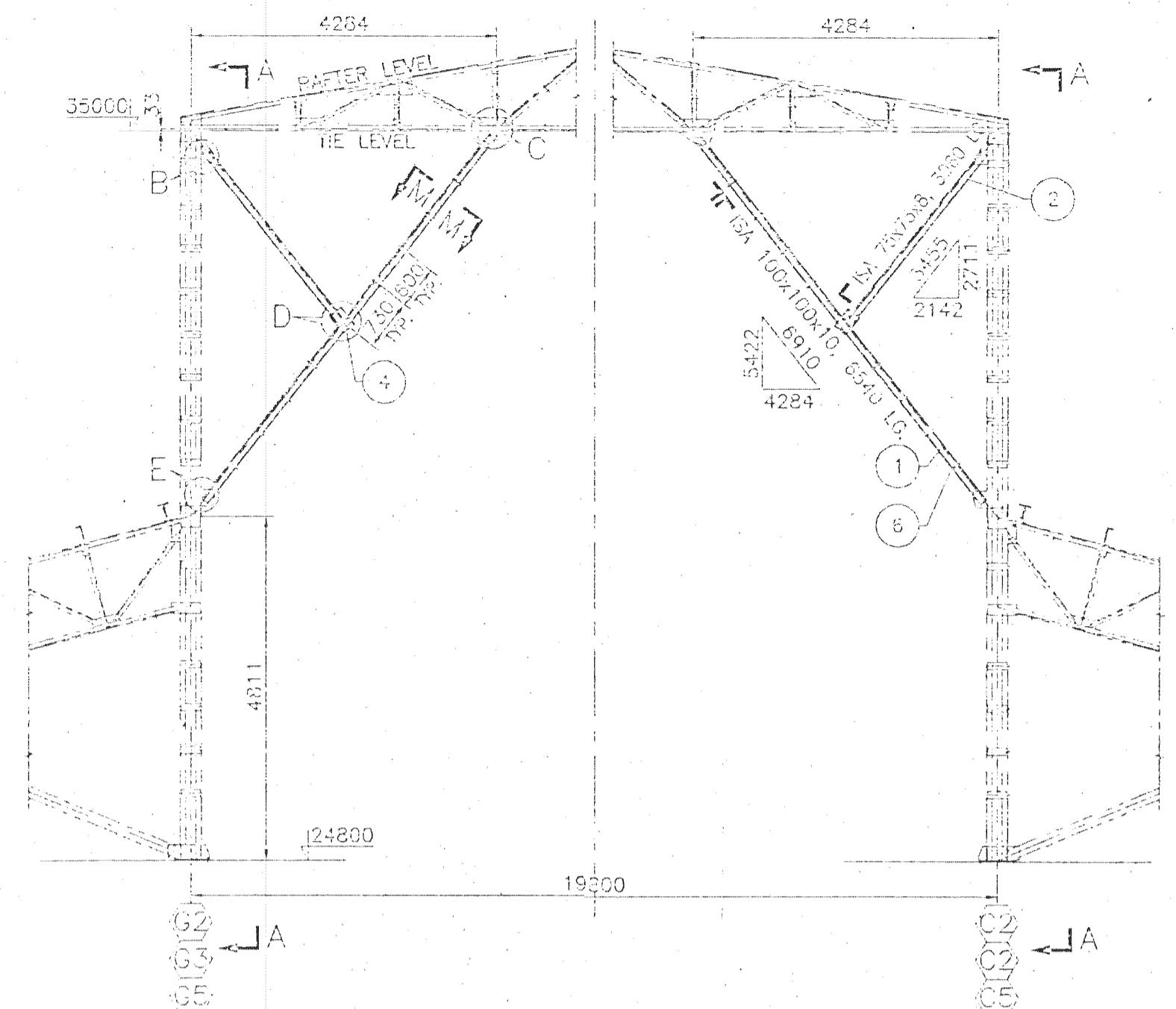


IF IN DOUBT, ASK

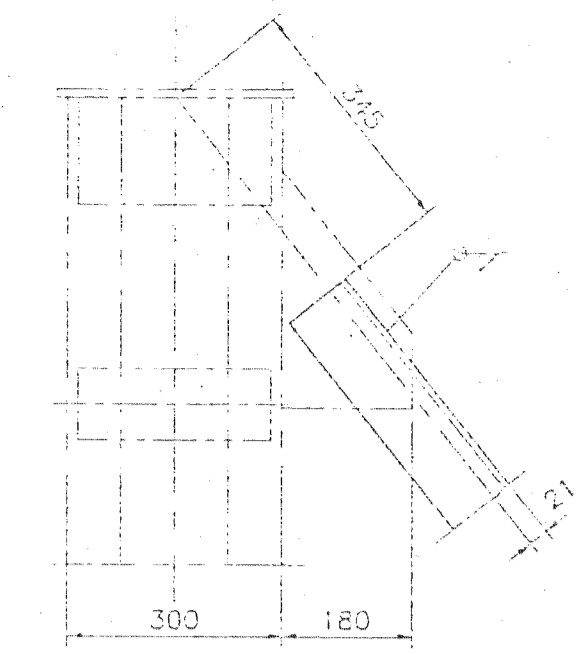
COLUMN BRACINGS



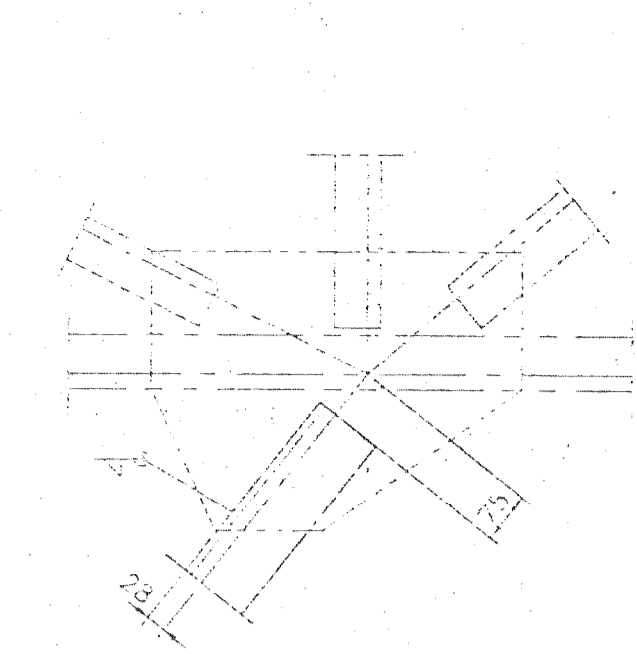
VIEW FROM A-A



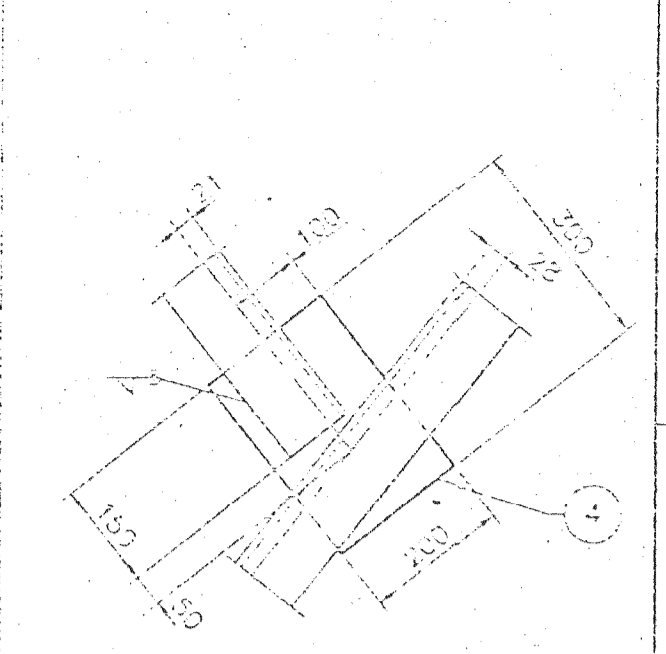
VIEW FROM BOILER FRONT



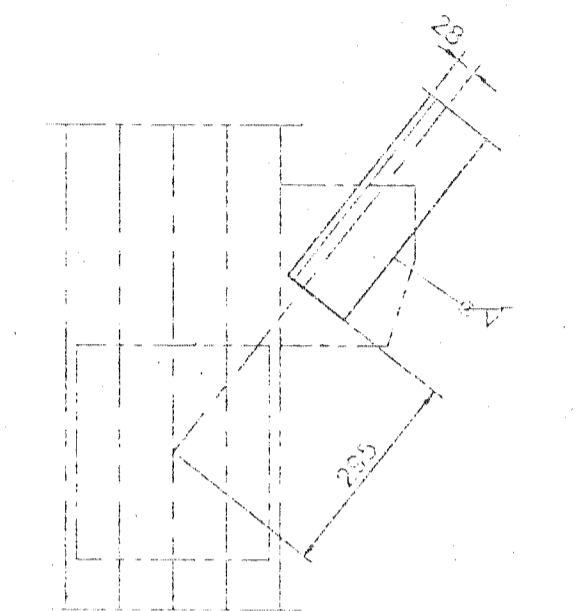
TYP. DETAIL AT B



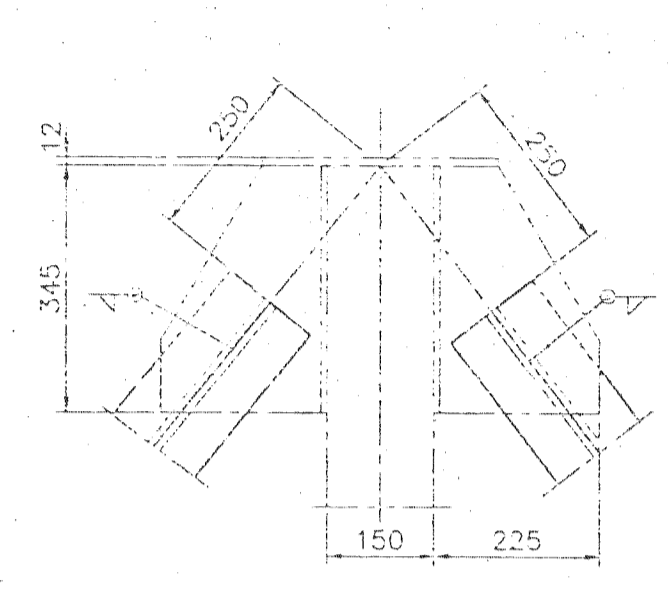
TYP. DETAIL AT C



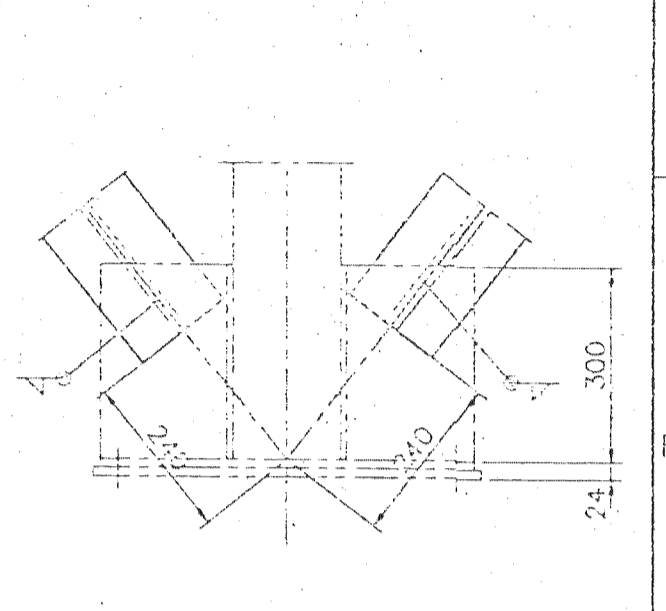
TYP. DETAIL AT D



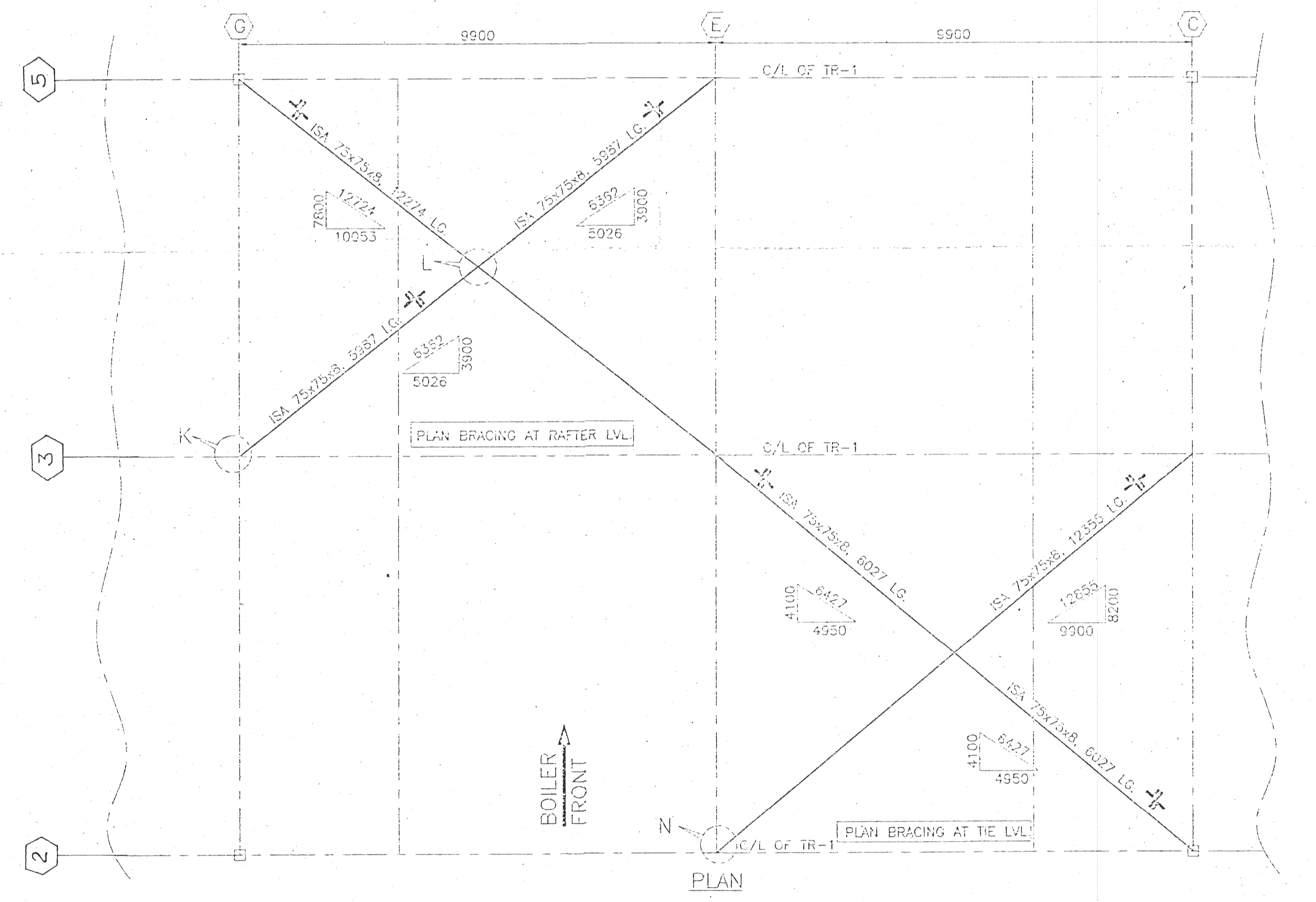
TYP. DETAIL AT E



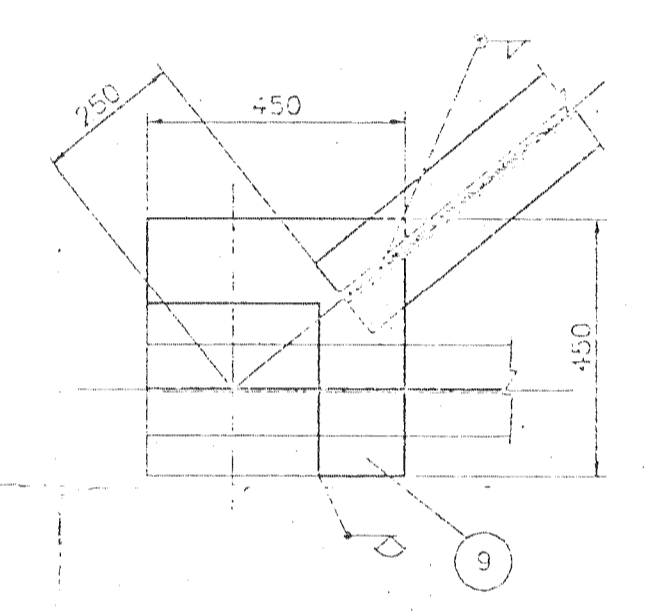
TYP. DETAIL AT F



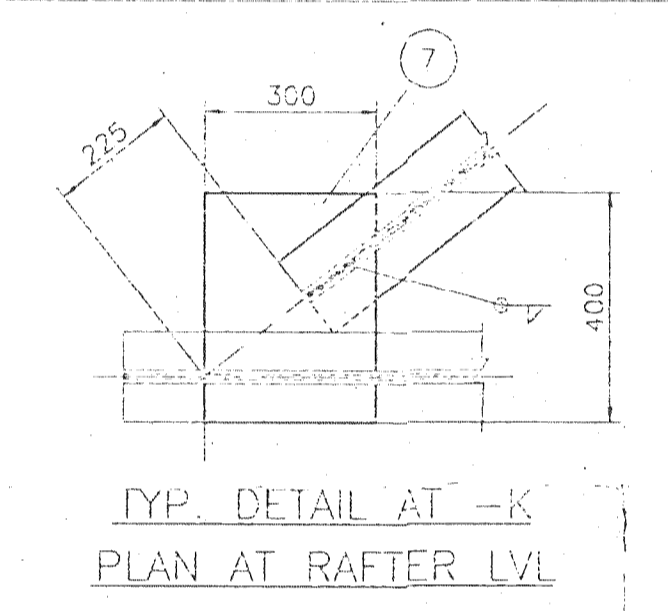
TYP. DETAIL AT G



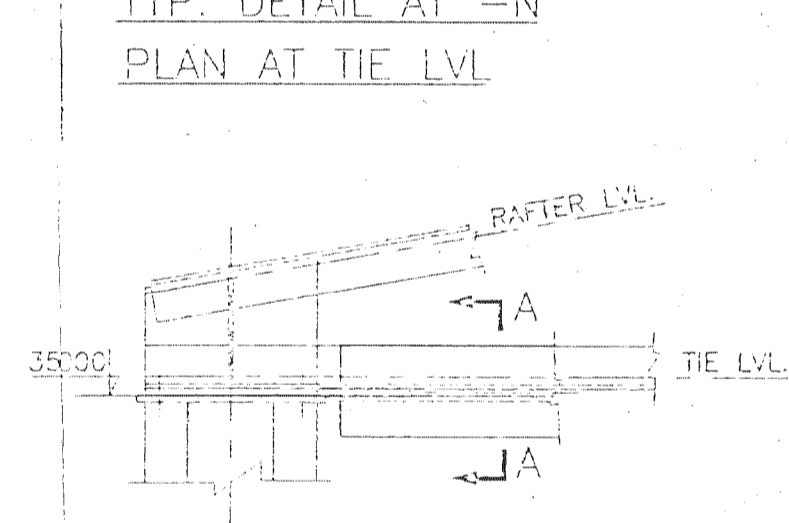
PLAN



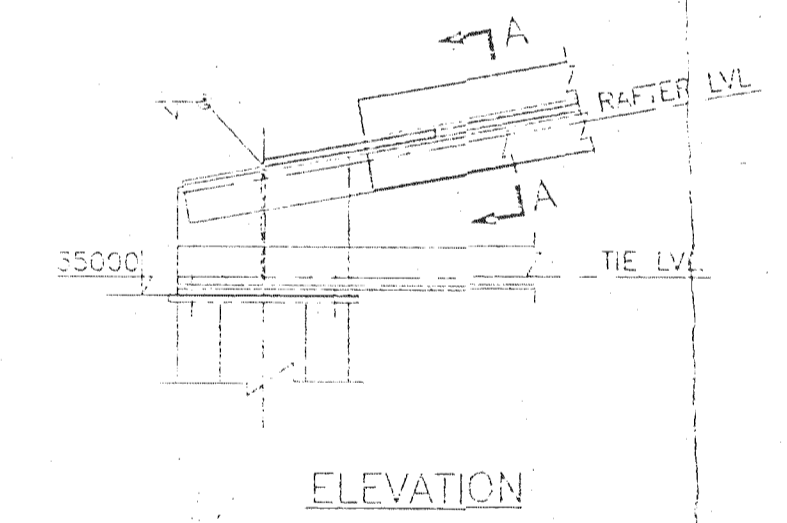
TYP. DETAIL AT -N  
PLAN AT TIE LVL



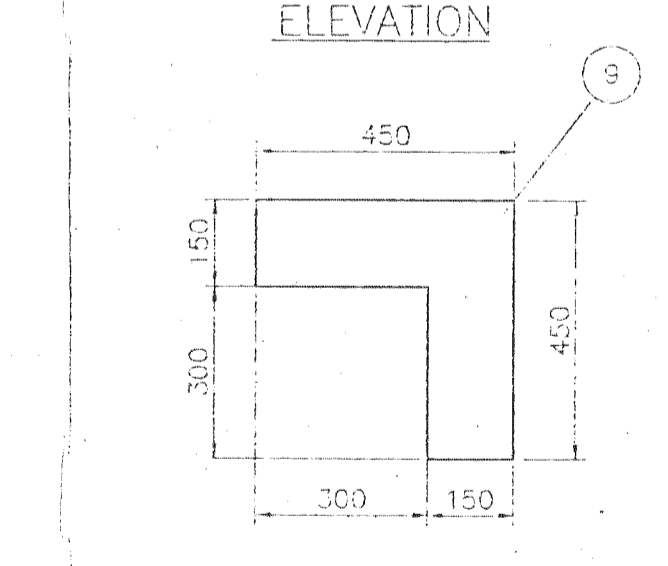
TYP. DETAIL AT -K  
PLAN AT RAFTER LVL



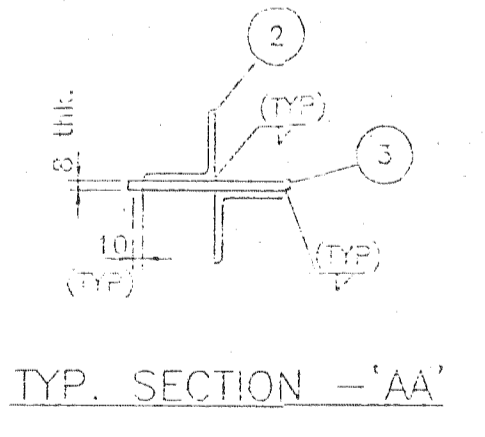
ELEVATION



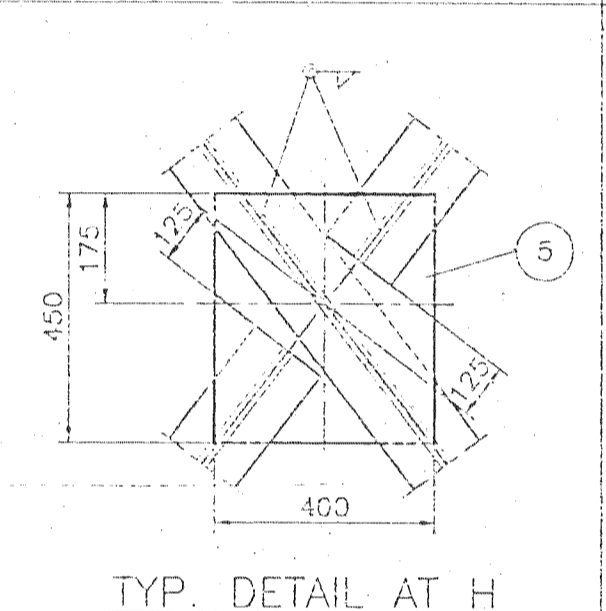
ELEVATION



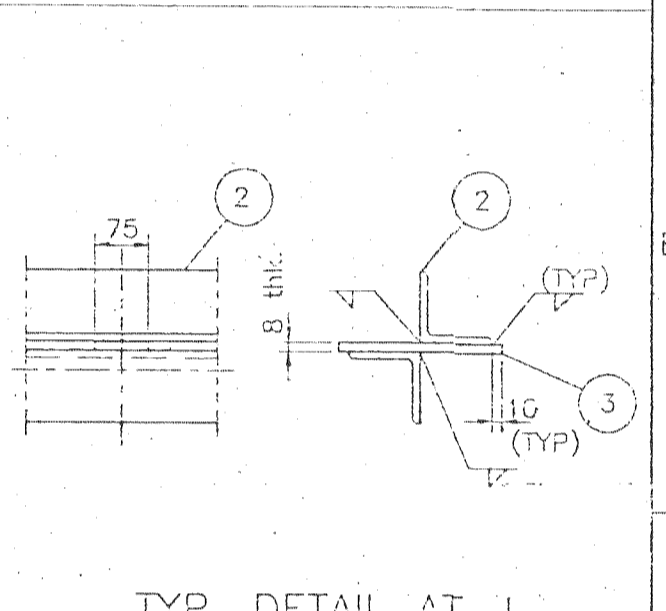
TYP. BRACING DETAIL



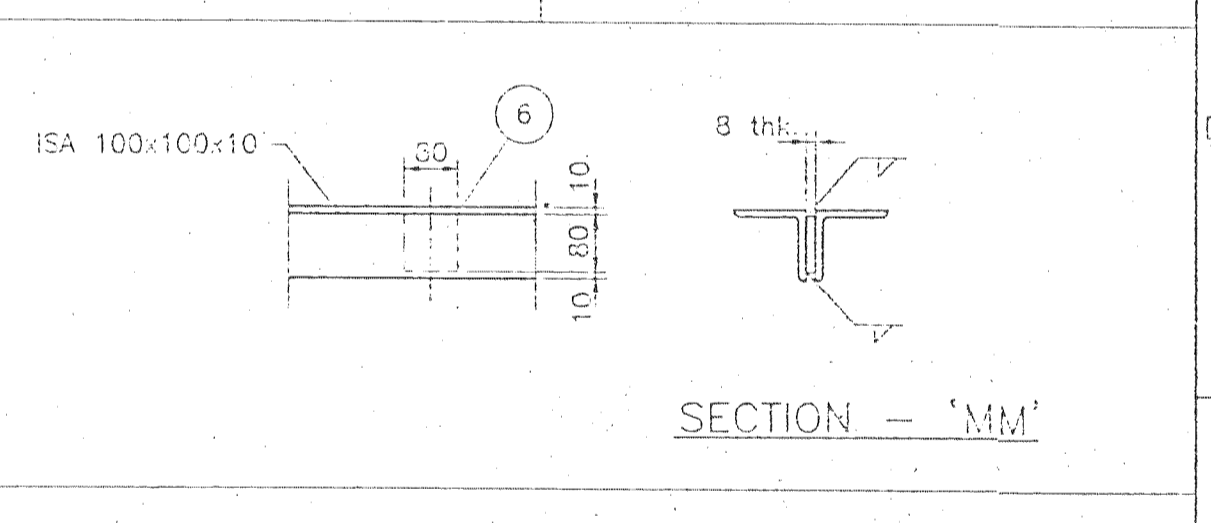
TYP. SECTION - 'AA'



TYP. DETAIL AT H



TYP. DETAIL AT J



SECTION - 'MM'

- NOTES:
- ALL DIMENSIONS ARE IN mm UNLESS OTHERWISE SPECIFIED.
  - ALL WELDS ARE 6 mm FILLET UNLESS OTHERWISE SPECIFIED.
  - FOR ARRANGEMENT OF BUMPER CANOPY REF. SAG-02B-04422.
  - / INDICATES SITE WELD.
  - FOR PAINTING SPEC. REF. NO. S11-FB-CS-14320.
  - FOR GENERAL NOTES REFER SPEC. NO. CE-CS-12137.

CUSTOMER :- OSWAL STEELS, ORISSA.

THIS SYMBOL IN THE BLOCK INDICATES THAT THIS BLOCK IS PLOTTED FROM EUSOFT LIBRARY.

REVISION TO ORIGINAL SHALL BE RELEASED ONLY AFTER CHECK AND THIS IS TO BE CONFIRMED BY THE RELEASED CAD FILE. REVISED AND CAD GEN. SOON IN REV. 3. 25/07/2017

|  |                         |
|--|-------------------------|
| BOILER NO. PA0171 & PA0172                         |                         |
| Thermax Babcock & Wilcox Limited PURE 411 034      | SCALE: DRAWN: 28-9-2020 |
| COLUMN BRACINGS AND BRACINGS AT RAFTER & TIE LEVEL | CHECKED: 28-9-2020      |
| FOR BUNKER CANOPY                                  | APPROVED: [Signature]   |
| DRG. NO. SA1-1PB-15423                             | REV. NO. 0              |

Vertical text on the left margin containing drawing details and revision information.